



JDC (M12) Junction Blocks

8 Port, 5 Pin JDC Junction blocks

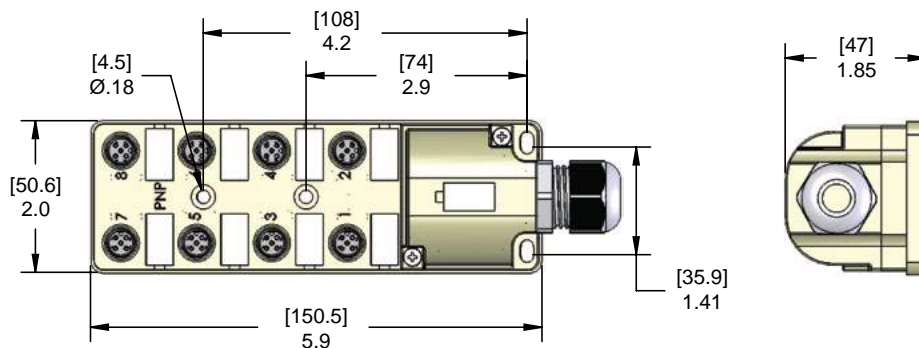


MIN Receptacle | MIN Plug | M23 Receptacle | IP67 Protection Rating



Trunk Style	UL Rating	Trunk Connection	Part Number		
			No LED	PNP	NPN
	N/A	MIN Size III 12 Pole Male Receptacle	JDC-850-019-M000	JDC-85P-219-M000	JDC-85N-219-M000
	N/A	M23 19 Pole Male Receptacle	JDC-850-019-V000	JDC-85P-219-V000	JDC-85N-219-V000
	N/A	MIN Size III 19 Pole Male Plug with Male Thread	JDC-850-019-M003	JDC-85P-219-M003	JDC-85N-219-M003
	N/A	MIN Size III 19 Pole Male Plug	JDC-850-019-M**	JDC-85P-219-M**	JDC-85N-219-M**

** Lengths in meters. Standard Cable lengths are 2m, 5m and 10m. Consult factory for other lengths.



JDC Junction Blocks

Q

Specifications:

Ratings:	3 A per Connector 8 A per Block	Inserts:	Polyamide
Voltage:	Without LEDs: 0-150 Volt Max With LEDs: 48 VDC Max in accordance with LED Configuration	Port Coupling Nuts:	PBT
Body:	Polypropylene	O-Ring:	BUNA-N
		LED Lens:	Polycarbonate
		Contacts:	Copper Alloy with Gold Plating
		Marker Tags:	Polyamide (supplied on all units)

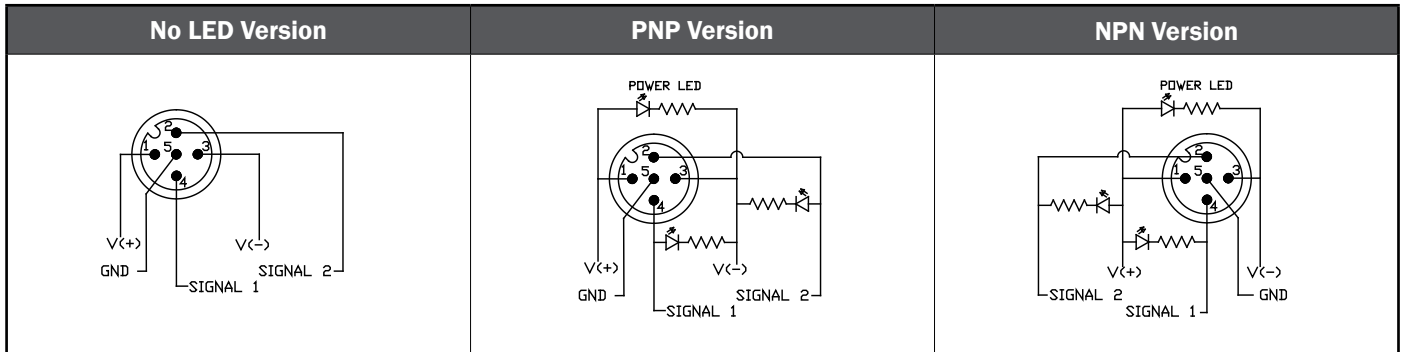


JDC (M12) Junction Blocks

8 Port, 5 Pin JDC Junction blocks



MIN Receptacle | MIN Plug | M23 Receptacle | IP67 Protection Rating



Function	MIN-19 Receptacles & Plug Version	19 PIN M23 Receptacles & Plug Version
Male Faceview	<p>1.125"-16UN2</p>	<p>M23 x 1</p>
+ V	PIN #7	PIN #19
- V	PIN #5	PIN #6
Ground	PIN #12	PIN #12
PORT 1 PIN 2	PIN #19	PIN #7
PORT 1 PIN 4	PIN #15	PIN #15
PORT 2 PIN 2	PIN #4	PIN #4
PORT 2 PIN 4	PIN #6	PIN #5
PORT 3 PIN 2	PIN #8	PIN #8
PORT 3 PIN 4	PIN #16	PIN #16
PORT 4 PIN 2	PIN #14	PIN #14
PORT 4 PIN 4	PIN #3	PIN #3
PORT 5 PIN 2	PIN #9	PIN #9
PORT 5 PIN 4	PIN #17	PIN #17
PORT 6 PIN 2	PIN #13	PIN #13
PORT 6 PIN 4	PIN #2	PIN #2
PORT 7 PIN 2	PIN #10	PIN #10
PORT 7 PIN 4	PIN #11	PIN #11
PORT 8 PIN 2	PIN #18	PIN #18
PORT 8 PIN 4	PIN #1	PIN #1
Mating Plug for Receptacle or Plug	MINP-19FP-*	MCV-19FP-**

* Length in feet. Standard Cable lengths are 3, 6, 12, 20, 30 & 50 feet. Consult factory for other lengths.

** Lengths in meters. Standard Cable lengths are 1, 2, 4, 5, 6, 10 & 15 meters. Consult factory for other lengths.